

# C. CRANE

## Point-to-Point Antenna - Assembly Guide

**A**

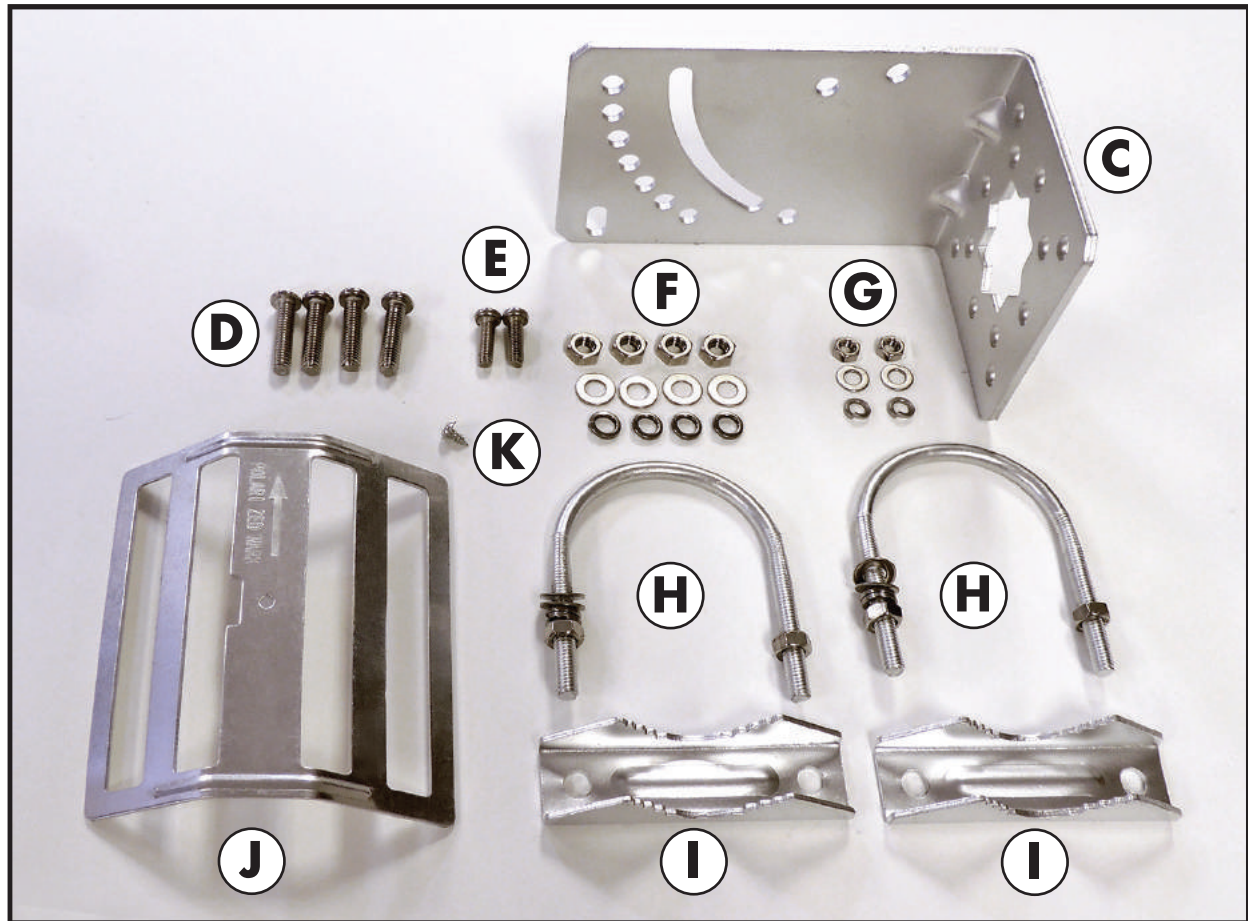


Grid Reflector

**B**



Feed Horn



**C** 'L' Bracket    **D** 4 - Large Screw-bolt    **E** 2- Small Screw-bolt

**F** 4- Large nut with flat washer and lock washer    **G** 2- Small nut with flat washer and lock washer

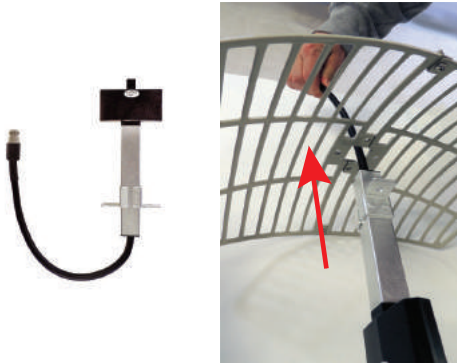
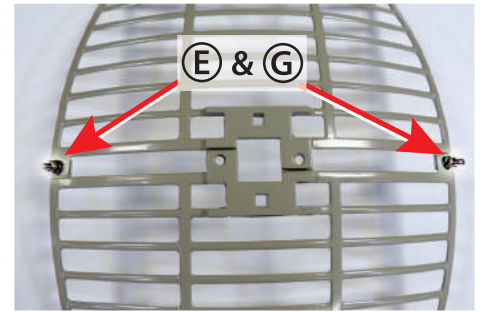
**H** 2- U-Bolts with nuts, flat washers, and lock washers    **I** 2- Pole bracket clamps

**J** 1- Small Reflector    **K** 1- Small Reflector screw

# Point-to-Point Antenna - Assembly Guide

## 1. Assemble Grid Reflector

-Fit two halves together and use the (2) small screw-bolts: (E) and the (2) small nuts with flat and lock-washers: (G) to secure.

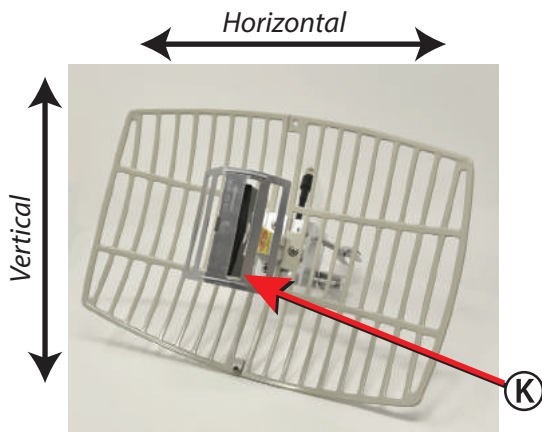
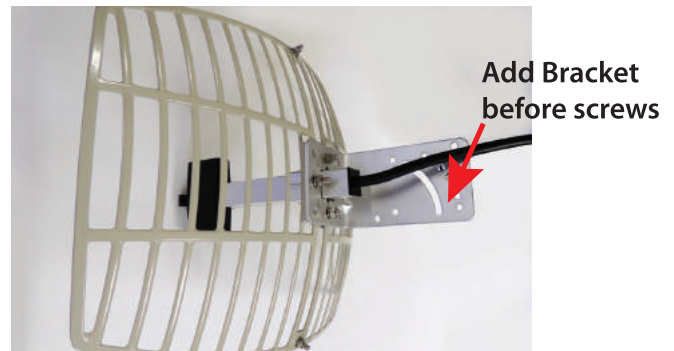


## 2. Connect Feed Horn to Reflector

-Route coax cable connected to feed horn through front middle square hole, lining-up the round holes on the feed horn and the grid reflector.

## 3. Attach 'L' Bracket, Grid Reflector, and Feed Horn together.

-Before inserting screws line up holes for all 3 pieces, connecting all 3 together using the (4) Large screw-bolts: (D) large nuts with flat and lock-washers: (F).



## 4 Attach Small Reflector

(You can remove the plastic film if desired).

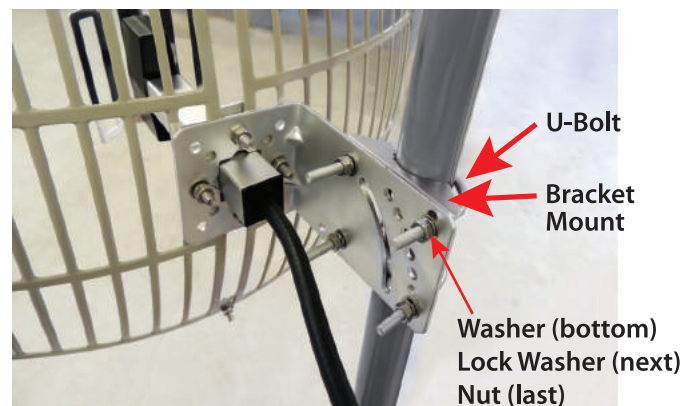
Align and insert the small screw. (K) (This will only fit one way. Do not overtighten).

NOTE: Please make sure the Feed Horn & Small Reflector are mounted *vertically* on the Grid Reflector. (As shown).

## 5. Attach Antenna to Pole

(Mounting bracket can accommodate 1.25" to 2.2" pole.)

- Place U-Bolts around pole.
- Attach Bracket Mounts.
- Attach 'L' Bracket (Follow picture for flat mounting.  
For angle mounting use just 1 U-Bolt and indicated holes.)
- Secure with the attached washers, lock washers and nuts.



# C.CRANE

## Safety Instructions for Point-to-Point Antenna

### READ BEFORE MOUNTING ANTENNA - SAVE THESE INSTRUCTIONS

1. Read and understand all safety and operating instructions prior to installing the antenna.  
Retain Instructions: The safety and operating instructions should be retained for future reference.
2. Water and Moisture: Coaxial sealant around openings and connections of device and antenna will prevent damage when used outdoors. Use device in a vertical position.
3. Never use a utility pole to mount the device and antenna or to use as a support. Never climb a utility pole.
4. Antenna installations can be dangerous because many times it involves the use of a ladder and a possible fall. Do Not install antenna on a wet, snowy or windy day or if a thunderstorm is approaching especially when on top of a building or ladder.
5. The antenna can be struck by lightning, which can be fatal. We recommend a licensed and insured installation by a qualified person. If you are unsure of your competency regarding the installation, it is best to seek the help of a qualified professional antenna installer.
6. In the event of storms, disconnect the antenna from your device. This will prevent damage caused by lightning.
7. The installation or dismantling of any antenna near power lines is dangerous. Each year hundreds of people are killed or injured while attempting to install or dismantle an antenna.



### ***Before Use***



Please read these IMPORTANT SAFETY INSTRUCTIONS before use.  
It is important to read and understand all instructions.

#### **Lighting**

You may need to ground your antenna if you live in an area prone to lightning.

#### **Power Lines**

Never mount an antenna near power lines. If a power line falls and comes in contact with your antenna, DO NOT TRY TO REMOVE IT.  
Call your local power company.

#### **Wind**

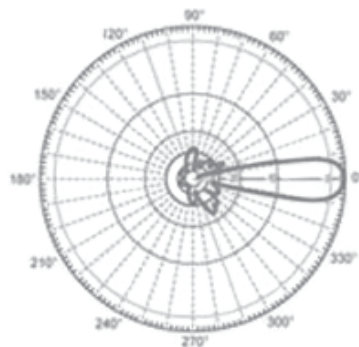
Installing an antenna on windy days can be dangerous. Slight winds can create strong forces against the antenna equipment.

If you have any doubts about your ability to install your antenna safely, please hire a licensed, bonded professional to do the work.  
C. Crane is not responsible or liable for damage or injury resulting from antenna installations.

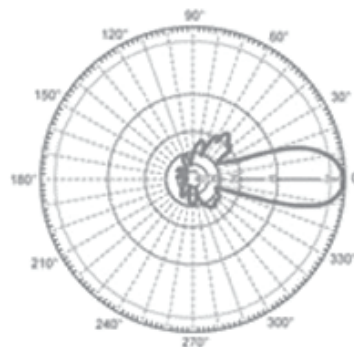
## Specifications

---

Frequency Range	2400-2485 MHz
Gain (co-polar)	15dBi
H-Plane 3dB Beamwidth	16±1 degree
E-Plane 3dB Beamwidth	21±1 degree
Side Lobe Level	> -15dB
Front-Back Ratio	>20dB
Polarization	Horizontal or Vertical
Cross-Polar Discrimination	>18dB
Impedance	50Ω
VSWR	< 1.5
Maximum Input Power	100W
Connector	N Female
Lightning Protection	Direct Ground
Dimensions	300mm L × 400mm W
Weight of Antenna	1.5kg
Diameter of Installation Pole	30~50mm
Angle of Pitch	0~40 degree
Rated Wind Speed	140km/h



**Horizontal**



**Vertical**

Copyright © 2017

C. Crane

172 Main St., Fortuna, CA 95540

Phone: 1-800-522-8863 Web: [ccrane.com](http://ccrane.com)

All rights reserved. No part of this booklet may be reproduced, in any form or means whatsoever, without permission in writing from C. Crane.

Made in Taiwan